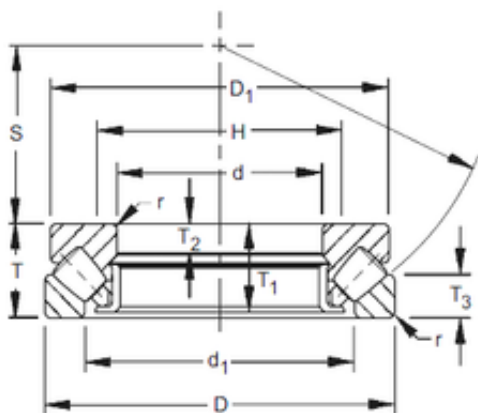




NSK bearing Trading Co., Ltd

260 mm x 420 mm x 32 mm 260 mm x 420 mm
x 32 mm Timken 29352 thrust roller bearings

Bearing No. 29352



29352 Bearing 2D drawings and 3D CAD models

Size	260x420x95 mm
Bore Diameter	260 mm
Outer Diameter	420 mm
Width	95 mm
d	260 mm
D	420 mm
T	95 mm
B	32 mm
C	45 mm
r max	4 mm
T1	91 mm
d1	329 mm
D1	405 mm
H	330 mm
S	148 mm