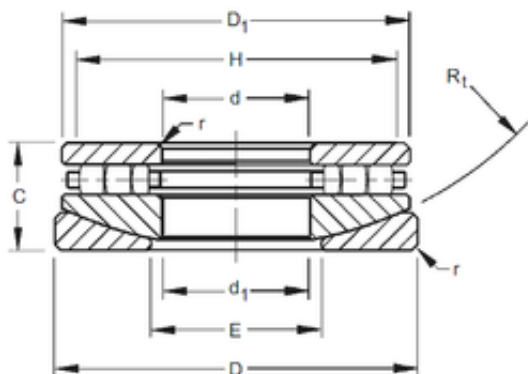




**Timken 50TPS121 thrust roller bearings**



Bearing No. 50TPS121

Bore Diameter	127 mm
Outer Diameter	266,7 mm
d	127 mm
D	266,7 mm
r max	3,2 mm
d1	130,18 mm
C	66,675 mm
D1	252,41 mm
E	158,8 mm
H	239,7 mm
R	323,85 mm

50TPS121 Bearing 2D drawings and 3D CAD models