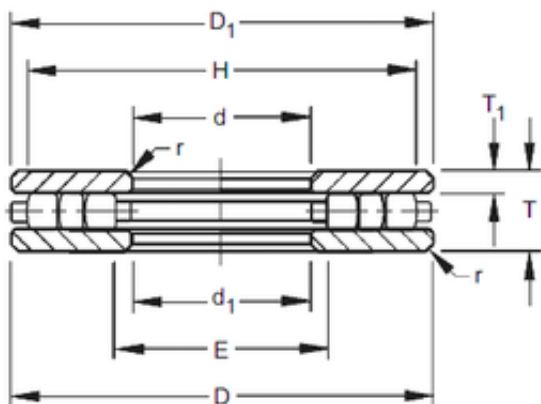




Timken 180TP169 thrust roller bearings



Bearing No. 180TP169

Size	457.2x711.2x127 mm
Bore Diameter	457,2 mm
Outer Diameter	711,2 mm
Width	127 mm
d	457,2 mm
D	711,2 mm
T	127 mm
r max	6,4 mm
T1	34,92 mm
d1	460,4 mm
D1	708 mm
E	484,2 mm
H	684,2 mm

180TP169 Bearing 2D drawings and 3D CAD models