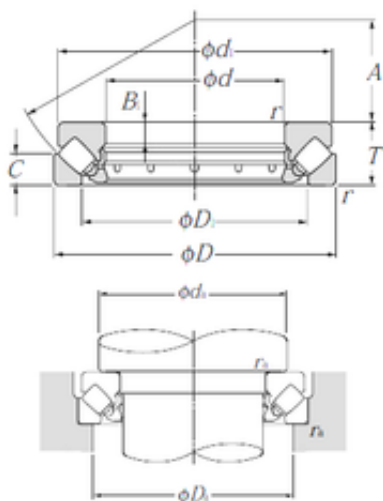




NTN 29256 thrust roller bearings

Bearing No. 29256



29256 Bearing 2D drawings and 3D CAD models

Size	280x380x60 mm
Bore Diameter	280 mm
Outer Diameter	380 mm
Width	60 mm
d	280 mm
D	380 mm
T	60 mm
B1	19 mm
C	30 mm
d1	370 mm
r min.	2,1 mm
A	150 mm
D1	323 mm
da min.	325 mm
Da max.	345 mm
ra max.	2 mm
Weight	19,8 Kg
Basic dynamic load rating (C)	875 kN
Basic static load rating (C0)	4 050 kN