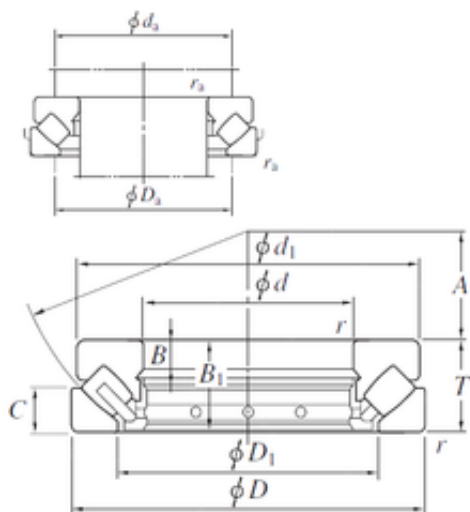




NSK bearing Trading Co., Ltd

110 mm x 190 mm x 16 mm 110 mm x 190 mm x 16 mm KOYO 29322R thrust roller bearings



29322R Bearing 2D drawings and 3D CAD models

Bearing No. 29322R

Size	110x190x48 mm
Bore Diameter	110 mm
Outer Diameter	190 mm
Width	48 mm
d	110 mm
D	190 mm
T	48 mm
d1	182 mm
r min.	2 mm
A	64 mm
B	16 mm
B1	455 mm
C	23 mm
D1	143 mm
da min.	145 mm
Da max.	165 mm
ra max.	2 mm
Weight	567 Kg
Basic dynamic load rating (C)	502 kN
Bearing No.	29322R
r(min)	2
Ca	628
Coa	1690
Oil lub.	2000
da(min)	145



NSK bearing Trading Co., Ltd

Da(max)	165
ra(max)	2
(Refer.)Mass(kg)	5.67