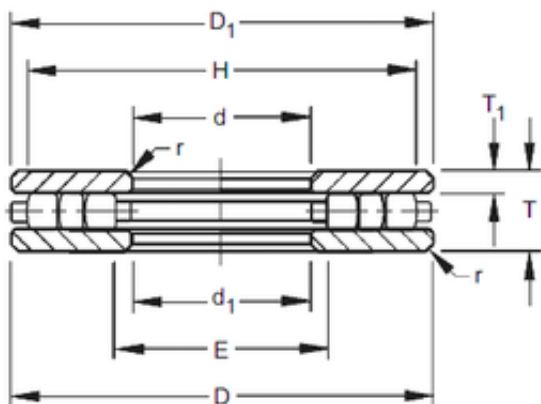




Timken 120TP152 thrust roller bearings



Bearing No. 120TP152

Size	304.8x508x114.3 mm
Bore Diameter	304,8 mm
Outer Diameter	508 mm
Width	114,3 mm
d	304,8 mm
D	508 mm
T	114,3 mm
r max	6,4 mm
T1	31,75 mm
d1	307,18 mm
D1	505,62 mm
E	328,6 mm
H	484,2 mm

120TP152 Bearing 2D drawings and 3D CAD models