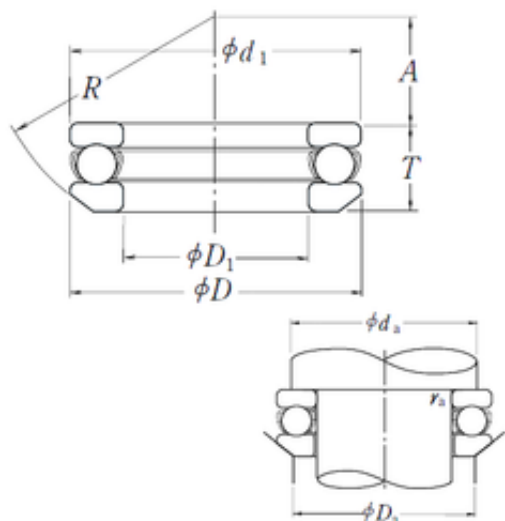




NSK bearing Trading Co., Ltd



NSK 53426X thrust ball bearings

Bearing No. 53426X

Size	130x270x115.2 mm
Bore Diameter	130 mm
Outer Diameter	270 mm
Width	115,2 mm
d	130 mm
D	270 mm
T	115,2 mm
d1	265 mm
r min.	4 mm
A	58 mm
D1	134 mm
R	200 mm
da min.	212 mm
Da max.	188 mm
ra max.	3 mm
Weight	32,4 Kg
Basic dynamic load rating (C)	525 kN
Basic static load rating (C0)	1590 kN
(Grease) Lubrication Speed	530 r/min
SRI	27.4
hidYobi	53426X
LangID	1
D_	270
SREX	0.21
C	525
B_	115.2

53426X Bearing 2D drawings and 3D CAD models



NSK bearing Trading Co., Ltd

hidTable	ecat_NSSDTB
Oil rpm	800
SRE	27.4
mass	32.4
GRS rpm	530
ra	3
SRIX	0.21
D_a	188
SRIN	0
C0	1590
SREN	0
D_1	134
Prod_Type3	TB_SD_WAS
da	212
DA_	50.8
Z_	10
yobi	53426X
A_	58
T3	115.2
SDM_	200
r	4
KBRG	512
R_	200