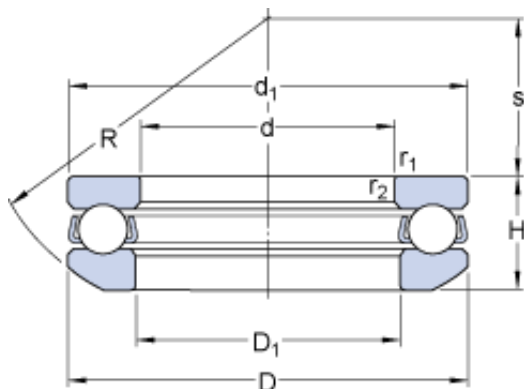




NSK bearing Trading Co., Ltd



SKF 53211 + U 211 thrust ball bearings

Bearing No. 53211 + U 211

Size	90x55x27.3 mm
Bore Diameter	90 mm
Outer Diameter	55 mm
Width	27,3 mm
d	55 mm
D	90 mm
H	27.3 mm
H ₁	30 mm
d ₁	90 mm
D ₁	57 mm
D ₂	72 mm
D ₃	95 mm
C	9 mm
R	72 mm
s	35 mm
r _{1,2} - min.	1 mm
d _a - min.	76 mm
D _a - max.	72 mm
r _a - max.	1 mm
Basic dynamic load rating - C	58.5 kN
Basic static load rating - C ₀	134 kN
Fatigue load limit - P _u	4.9 kN
Reference speed	2800 r/min
Limiting speed	3800 r/min

53211 + U 211 Bearing 2D drawings and 3D CAD models



NSK bearing Trading Co., Ltd

Minimum load factor - A	0.11
H_1	30 mm
d_1	90 mm
D_1	57 mm
D_2	72 mm
D_3	95 mm
$r_{1,2}$ min.	1 mm
d_a min.	76 mm
D_a max.	72 mm
r_a max.	1 mm
Basic dynamic load rating C	58.5 kN
Basic static load rating C_0	134 kN
Fatigue load limit P_u	4.9 kN
Minimum load factor A	0.11
Mass bearing (including seat washer where applicable)	0.75 kg