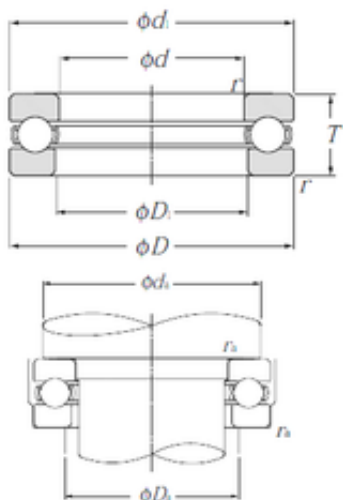




# NSK bearing Trading Co., Ltd



## NTN 51203 thrust ball bearings

Bearing No. 51203

Size	17x35x12 mm
Bore Diameter	17 mm
Outer Diameter	35 mm
Width	12 mm
d	17 mm
D	35 mm
T	12 mm
d1	35 mm
r min.	0,6 mm
D1	19 mm
da min.	28 mm
Da max.	24 mm
ra max.	0,6 mm
Weight	0,054 Kg
Basic dynamic load rating (C)	17,2 kN
Basic static load rating (C0)	27,3 kN
(Grease) Lubrication Speed	4 800 r/min
Category	Thrust Ball Bearing
Inventory	6.0
Manufacturer Name	NTN
Minimum Buy Quantity	N/A
Weight / Kilogram	0.05
EAN	4547359306545
Product Group	B00308
Rolling Element	Ball Bearing
Thrust Bearing	Yes

51203 Bearing 2D drawings and 3D CAD models



## NSK bearing Trading Co., Ltd

Single or Double Direction	Single Direction
Banded	No
Cage Material	Steel
Precision Class	ABEC 1   ISO P0
Component Description	Roller Assembly Plus Raceways
Other Features	Single Row   With Flat Seat
Long Description	17MM Bore 1; 19MM Bore 2; 35MM Outside Diameter; 12MM Height; Ball Bearing; Single Direction; Not Banded; Steel Cage; ABEC 1   ISO P0 Precision
Inch - Metric	Metric
Category	Thrust Ball Bearings
UNSPSC	31171552
Harmonized Tariff Code	8482.10.50.08
Noun	Bearing
Keyword String	Ball Thrust
Manufacturer URL	<a href="http://www.ntnamerica.com">http://www.ntnamerica.com</a>
Manufacturer Item Number	51203
Weight / LBS	0.11905
Outside Diameter	1.378 Inch   35 Millimeter
Height	0.472 Inch   12 Millimeter
Bore 2	0.748 Inch   19 Millimeter
Bore 1	0.669 Inch   17 Millimeter
Overall Height with Aligning Washer	0 Inch   0 Millimeter
bore diameter:	17 mm
dynamic load capacity:	17200 N
outside diameter:	35 mm
operating temperature range:	-40 to 120 ° C
overall width:	12 mm



## NSK bearing Trading Co., Ltd

maximum rpm:	6800 rpm
thrust bearing type:	Single-Direction
bearing material:	High Carbon Chrome Steel
outside diameter design:	Straight
cage material:	Resin
separable or banded:	Separable
fillet radius:	0.6 mm
precision rating:	ISO Class 0
series:	512
static load capacity:	27300 N
manufacturer product page:	<a href="#">Click here</a>