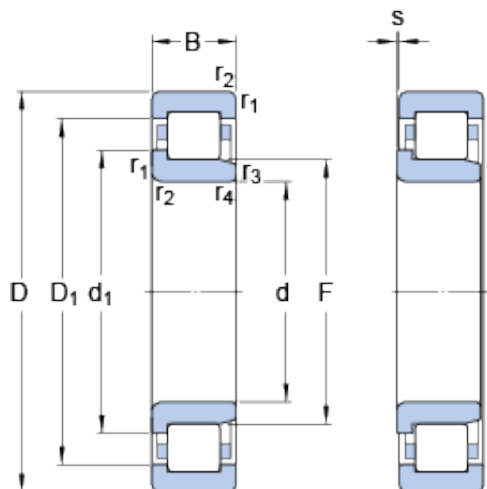




# NSK bearing Trading Co., Ltd



40 mm x 80 mm x 18 mm 40 mm x 80 mm x 18 mm SKF NJ 208 ECP thrust ball bearings

Bearing No. NJ 208 ECP

NJ 208 ECP Bearing 2D drawings and 3D CAD models

Size	80x40x18 mm
Bore Diameter	80 mm
Outer Diameter	40 mm
Width	18 mm
d	40 mm
D	80 mm
B	18 mm
d <sub>1</sub>	54 mm
D <sub>1</sub>	67.4 mm
F	49.5 mm
r <sub>1,2</sub> - min.	1.1 mm
r <sub>3,4</sub> - min.	1.1 mm
s	1.4 mm
d <sub>a</sub> - min.	47 mm
d <sub>a</sub> - max.	48 mm
d <sub>b</sub> - min.	56 mm
D <sub>a</sub> - max.	72.8 mm
r <sub>a</sub> - max.	1 mm
Basic dynamic load rating - C	62 kN
Basic static load rating - C <sub>0</sub>	53 kN
Fatigue load limit - P <sub>u</sub>	6.7 kN
Reference speed	9500 r/min
Limiting speed	11000 r/min
Calculation factor - k <sub>r</sub>	0.15



## NSK bearing Trading Co., Ltd

Category	Cylindrical Roller Bearings
Inventory	0.0
Manufacturer Name	SKF
Minimum Buy Quantity	N/A
Weight / Kilogram	0.4
EAN	7316577023100
Product Group	B04144
Bore Profile	Straight
Cage Material	Polymer
Precision Class	RBEC 1   ISO P0
Number of Rows of Rollers	Single Row
Separable	Inner Ring - One Side
Rolling Element	Cylindrical Roller Bearing
Profile	Complete with Outer and Inner Ring
Snap Ring	No
Internal Clearance	C0-Medium
Retainer	Yes
Relubricatable	Yes
Inch - Metric	Metric
Other Features	High Capacity   1 Rib Inner Ring   2 Rib Outer Ring   Cage on Outer Ring ID
Long Description	40MM Bore; Straight Bore Profile; 80MM Outside Diameter; 18MM Width; Polymer Cage Material; RBEC 1   ISO P0; Single Row; Inner Ring - One Side Separable; No Snap Ring; Relubricatable; C0-Medium Inter
Category	Cylindrical Roller Bearing
UNSPSC	31171547
Harmonized Tariff Code	8482.50.00.00
Noun	Bearing



## NSK bearing Trading Co., Ltd

Manufacturer URL	<a href="http://www.skf.com">http://www.skf.com</a>
Manufacturer Item Number	NJ 208 ECP
Weight / LBS	0.88
Bore	1.575 Inch   40 Millimeter
Width	0.709 Inch   18 Millimeter
Outside Diameter	3.15 Inch   80 Millimeter
bore diameter:	40 mm
precision rating:	RBEC 1 (ISO Class Normal)
outside diameter:	80 mm
maximum rpm:	11000 RPM
overall width:	18 mm
bearing material:	Steel
flanges:	(2) Outer Ring, (1) Inner Ring
cage material:	Polyamide
bore type:	Straight
finish/coating:	Uncoated
number of rows:	1
closure type:	Open
internal clearance:	C0
application:	Piston Type Machines, Rolling Mills, Spindles/Machine Tools
ring separation:	Separable Ring
outer ring width:	18 mm
operating temperature range:	Maximum of +300 ° F
fillet radius:	1 mm
dynamic load capacity:	62 kN
series:	NJ2
static load capacity:	53 kN
d <sub>1</sub>	54 mm
D <sub>1</sub>	67.4 mm



## NSK bearing Trading Co., Ltd

$r_{1,2}$ min.	1.1 mm
$r_{3,4}$ min.	1.1 mm
s max.	1.4 mm
$d_a$ min.	47 mm
$d_a$ max.	48 mm
$d_b$ min.	56 mm
$D_a$ max.	72.8 mm
$r_a$ max.	1 mm
Basic dynamic load rating C	62 kN
Basic static load rating $C_0$	53 kN
Fatigue load limit $P_u$	6.7 kN
Calculation factor $k_r$	0.15
Limiting value e	0.2
Axial load factor Y	0.6
Mass bearing	0.38 kg