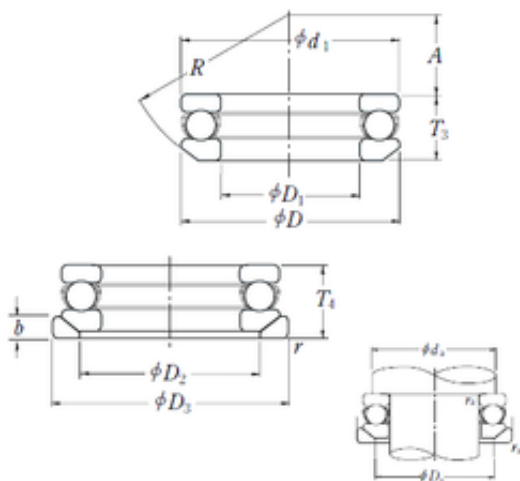




NSK bearing Trading Co., Ltd

NSK 53210U thrust ball bearings

Bearing No. 53210U



53210U Bearing 2D drawings and 3D CAD models

| | |
|-------------------------------|-------------|
| Size | 50x78x26 mm |
| Bore Diameter | 50 mm |
| Outer Diameter | 78 mm |
| Width | 26 mm |
| d | 50 mm |
| D | 78 mm |
| T | 26 mm |
| b | 7,5 mm |
| d1 | 78 mm |
| r min. | 1 mm |
| A | 32,5 mm |
| D1 | 52 mm |
| D2 | 62 mm |
| D3 | 82 mm |
| R | 64 mm |
| da min. | 67 mm |
| Da max. | 61 mm |
| ra max. | 1 mm |
| Weight | 0,504 Kg |
| Basic dynamic load rating (C) | 49 kN |
| Basic static load rating (C0) | 111 kN |
| (Grease) Lubrication Speed | 2400 r/min |
| SRI | 5.6 |
| hidYobi | 53210U |
| LangID | 1 |
| D_ | 78 |



NSK bearing Trading Co., Ltd

| | |
|------------|-------------|
| SREX | 0.05 |
| C | 49 |
| B_ | 26 |
| hidTable | ecat_NSSDTB |
| Oil rpm | 3600 |
| SRE | 5.6 |
| mass | 0.504 |
| GRS rpm | 2400 |
| ra | 1 |
| SRIX | 0.05 |
| T4 | 26 |
| D_3 | 82 |
| D_a | 61 |
| SRIN | 0 |
| C0 | 111 |
| D_2 | 62 |
| SREN | 0 |
| D_1 | 52 |
| Prod_Type3 | TB_SD_WASW |
| da | 67 |
| DA_ | 10.319 |
| Z_ | 17 |
| yobi | 53210U |
| A_ | 32.5 |
| T3 | 23.5 |
| SDM_ | 64 |
| r | 1 |
| KBRG | 5131 |
| R_ | 64 |