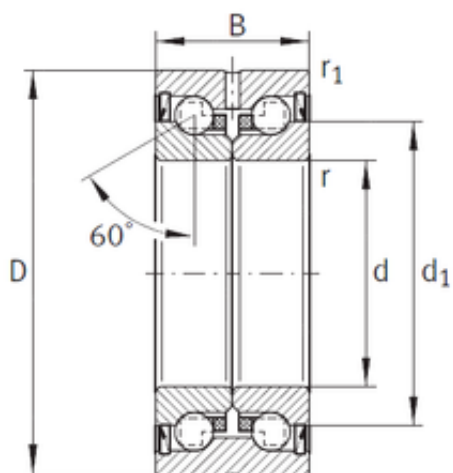




NSK bearing Trading Co., Ltd



17 mm x 47 mm x 25 mm 17 mm x 47 mm x 25 mm INA ZKLN1747-2Z thrust ball bearings

Bearing No. ZKLN1747-2Z

ZKLN1747-2Z Bearing 2D drawings and 3D CAD models

Size	17x47x25 mm
Bore Diameter	17 mm
Outer Diameter	47 mm
Width	25 mm
d	17 mm
D	47 mm
B	25 mm
C	25 mm
Angle (?)	60 °
d1	30 mm
r min.	0,3 mm
r1 min.	0,6 mm
Weight	0,22 Kg
Basic dynamic load rating (C)	18,8 kN
Basic static load rating (C0)	31 kN
Category	Angular Contact Ball Bearings
Inventory	0.0
Manufacturer Name	SCHAEFFLER GROUP
Minimum Buy Quantity	N/A
Weight / Kilogram	0.22
EAN	0035373217786
Product Group	B00152
Enclosure	2 Metal Shields
Flush Ground	No



NSK bearing Trading Co., Ltd

Rolling Element	Ball Bearing
Number of Rows of Balls	Double Row
Precision Class	ABEC 1 ISO P0
Maximum Capacity / Filling Slot	No
Snap Ring	No
Cage Material	Plastic
Contact Angle	60 Degree
Internal Clearance	C0-Medium
Number of Bearings	1 (Single)
Inch - Metric	Metric
Long Description	17MM Bore; 47MM Outside Diameter; 25MM Width; 2 Metal Shields; No Flush Ground; Ball Bearing; Double Row of Balls; ABEC 1 ISO P0; No Filling Slot; No Snap Ring; C0-Medium; Plastic Cage; 60 Degree; 1
Other Features	With Fixing Holes
Category	Angular Contact Ball Bearing
UNSPSC	31171531
Harmonized Tariff Code	8482.10.50.28
Noun	Bearing
Keyword String	Angular Contact
Manufacturer URL	http://www.ina.com
Weight / LBS	0.48502
Outside Diameter	1.85 Inch 47 Millimeter
Width	0.984 Inch 25 Millimeter
Bore	0.669 Inch 17 Millimeter