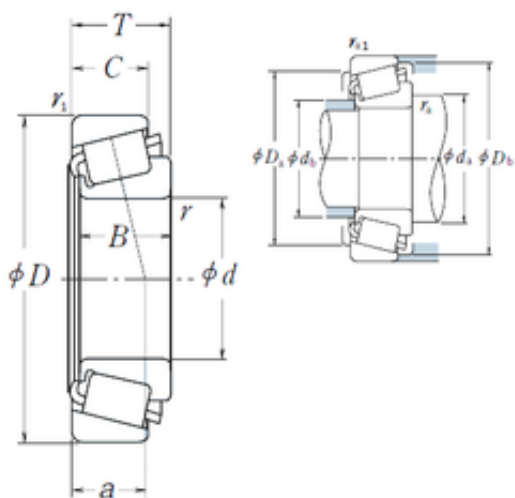




NSK bearing Trading Co., Ltd



44,45 mm x 95,25 mm x 28,575 mm 44,45 mm x
95,25 mm x 28,575 mm NSK
HM903249/HM903210 tapered roller bearings

Bearing No. HM903249/HM903210

HM903249/HM903210 Bearing 2D drawings and 3D
CAD models

Size	44.45x95.25x30.958 mm
Bore Diameter	44,45 mm
Outer Diameter	95,25 mm
Width	30,958 mm
d	44,45 mm
D	95,25 mm
T	30,958 mm
B	28,575 mm
C	22,225 mm
ra1 max.	0,8 mm
a	31,5 mm
r min.	3,5 mm
r1 min.	0,8 mm
Da	81 mm
db	54 mm
ra max.	3,5 mm
da	65 mm
Db	91 mm
Weight	1,024 Kg
Basic dynamic load rating (C)	100 kN
Basic static load rating (C0)	122 kN
(Grease) Lubrication Speed	3600 r/min
(Oil) Lubrication Speed	5000 r/min
Calculation factor (e)	0,74



NSK bearing Trading Co., Ltd

Calculation factor (Y0)	0,45
LangID	1
ALP23	0
outer r	0.8
ALP22	30
D_	95.25
ALP21	52
SHOG_yobi	HM903249R/HM903210R
RAr	100.301
inner r	3.5
GRS rpm	3600
D_b	91
D_a	81
DE_	78.631
SLR	21
Prod_Type3	TRBSR_ID_A
BETA_	3
ALPHA_	26.25
SDM_	68.972
DA1	12.826
DA2	10.164
hidYobi	HM903249/HM903210
Y1	0.81
B_	28.575
Oil rpm	5000
hidTable	ecat_NSTPRI
Y0	0.45
inner ra	3.5
outer rb	0.8
C0	122
CUP	0.389
e	0.74



NSK bearing Trading Co., Ltd

DA_	11.509
BET21	7
BET22	20
BET23	0
Z_	16
C_	22.225
yobi	HM903249/HM903210
KBRG	3161
CONE	0.635
DI_	58.123