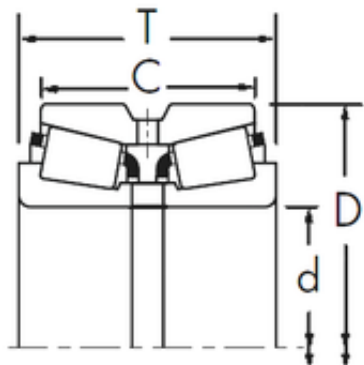




NSK bearing Trading Co., Ltd

Timken 365A/363D+X1S-365A tapered roller bearings



Bearing No. 365A/363D+X1S-365A

Size	41.275x90x50.01 mm
Bore Diameter	41,275 mm
Outer Diameter	90 mm
Width	50,01 mm
d	41,275 mm
D	90 mm
T	50,01 mm
C	42,07 mm
R	3,5 mm
r	0,8 mm

365A/363D+X1S-365A Bearing 2D drawings and 3D CAD models