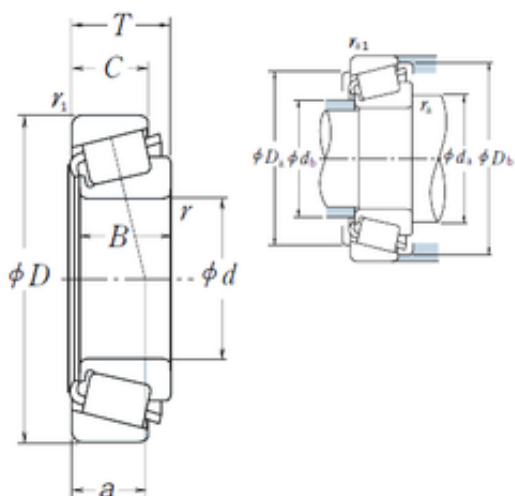




NSK bearing Trading Co., Ltd



15 mm x 34,988 mm x 10,988 mm 15 mm x
34,988 mm x 10,988 mm NSK A4059/A4138
tapered roller bearings

Bearing No. A4059/A4138

A4059/A4138 Bearing 2D drawings and 3D CAD models

Size	15x34.988x10.998 mm
Bore Diameter	15 mm
Outer Diameter	34,988 mm
Width	10,998 mm
d	15 mm
D	34,988 mm
T	10,998 mm
B	10,988 mm
C	8,73 mm
ra1 max.	1,3 mm
a	8,2 mm
r min.	0,8 mm
r1 min.	1,3 mm
Da	29 mm
db	19 mm
ra max.	0,8 mm
da	19,5 mm
Db	32 mm
Weight	0,051 Kg
Basic dynamic load rating (C)	11,7 kN
Basic static load rating (C0)	10,9 kN
(Grease) Lubrication Speed	12000 r/min
(Oil) Lubrication Speed	16000 r/min
Calculation factor (e)	0,45



NSK bearing Trading Co., Ltd

Calculation factor (Y0)	0,73
LangID	1
ALP23	0
outer r	1.3
ALP22	34
D_	34.988
ALP21	33
SHOG_yobi	A4059R/A4138R
RAr	52.176
inner r	0.8
GRS rpm	12000
D_b	32
D_a	29
DE_	28.368
SLR	7
Prod_Type3	TRBSR_ID_A
BETA_	2
ALPHA_	16.783
SDM_	24.018
DA1	4.551
DA2	3.945
hidYobi	A4059/A4138
Y1	1.3
B_	10.988
Oil rpm	16000
hidTable	ecat_NSTPRI
Y0	0.73
inner ra	0.8
outer rb	1.3
C0	10.9
CUP	0.022
e	0.45



NSK bearing Trading Co., Ltd

DA_	4.25
BET21	5
BET22	0
BET23	0
Z_	12
C_	8.73
yobi	A4059/A4138
KBRG	3171
CONE	0.029
DI_	19.841