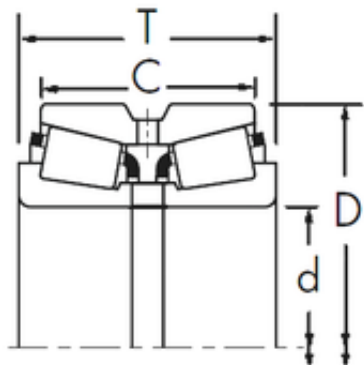




NSK bearing Trading Co., Ltd

Timken 67391/67322D+X1S-67390 tapered roller bearings

Bearing No. 67391/67322D+X1S-67390



Size	133.35x196.85x101.6 mm
Bore Diameter	133,35 mm
Outer Diameter	196,85 mm
Width	101,6 mm
d	133,35 mm
D	196,85 mm
T	101,6 mm
C	85,725 mm
R	8 mm
r	0,8 mm

67391/67322D+X1S-67390 Bearing 2D drawings and 3D CAD models