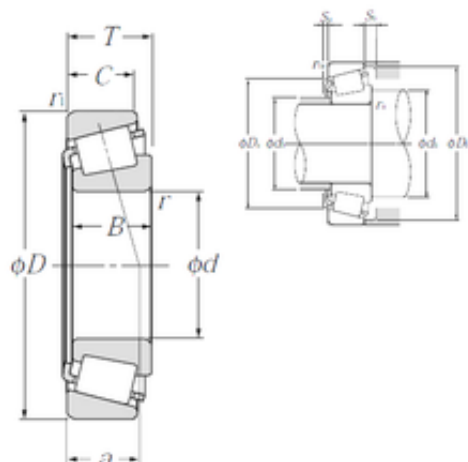




NSK bearing Trading Co., Ltd

60 mm x 100 mm x 30 mm 60 mm x 100 mm x 30 mm NTN 4T-33112 tapered roller bearings



Bearing No. 4T-33112

Size	60x100x30 mm
Bore Diameter	60 mm
Outer Diameter	100 mm
Width	30 mm
d	60 mm
D	100 mm
T	30 mm
B	30 mm
C	23 mm
ra1 max.	1,5 mm
a	23,5 mm
r min.	1,5 mm
r1 min.	1,5 mm
da min.	68,5 mm
Da min	88 mm
Da max.	91,5 mm
db max.	67 mm
Db min.	96 mm
ra max.	1,5 mm
Sa	5 mm
Sb	7 mm
Weight	0,912 Kg
Basic dynamic load rating (C)	113 kN
Basic static load rating (C0)	164 kN
(Grease) Lubrication Speed	3 600 r/min

4T-33112 Bearing 2D drawings and 3D CAD models



NSK bearing Trading Co., Ltd

(Oil) Lubrication Speed	4 700 r/min
Calculation factor (e)	0,4
Calculation factor (Y0)	0,83
d1	80.5 mm
rs min	1.5 mm
r1s min	1.5 mm
e	0.4
Y2	1.51
Y0	0.83
Mass	0.91 kg
ISO 355 reference	T3CE060
Dynamic load, C	113 kN
Rating life coefficient, A2	1.4
Static load, C0	164 kN
Fatigue limit load, Cu	20 kN
Nlim (oil)	4,700 rpm
Nlim (grease)	3,600 rpm
Min operating temperature, Tmin	-40 ° C
Max operating temperature, Tmax	120 ° C
Characteristic cage frequency, FTF	0.44 Hz
Characteristic rolling element frequency, BSF	8 Hz
Characteristic outer ring frequency, BPF0	9.69 Hz
Characteristic inner ring frequency, BRFI	12.31 Hz
da max	67 mm
db min	68.5 mm
Da max	91.5 mm
Db min	96 mm
Ca min	5 mm



NSK bearing Trading Co., Ltd

Cb min	7 mm
ra max	1.5 mm
r1a max	1.5 mm