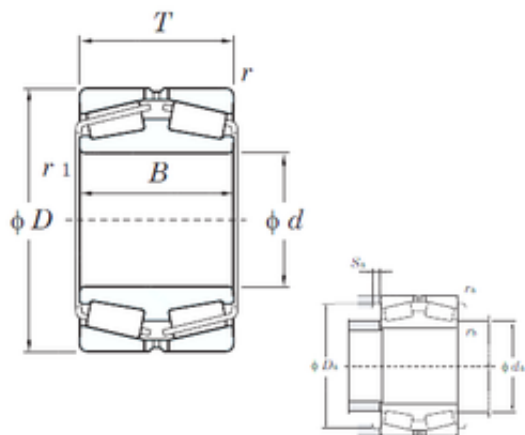




NSK bearing Trading Co., Ltd

260 mm x 400 mm x 104 mm 260 mm x 400 mm x 104 mm KOYO 45252 tapered roller bearings



Bearing No. 45252

Size	260x400x104 mm
Bore Diameter	260 mm
Outer Diameter	400 mm
Width	104 mm
d	260 mm
D	400 mm
T	104 mm
B	104 mm
r min.	4 mm
r1 min.	5 mm
da max	302 mm
Db min.	360 mm
ra max.	3 mm
rb max.	4 mm
Db max	382 mm
Weight	48,1 Kg
Basic dynamic load rating (C)	1140 kN
Basic static load rating (C0)	2120 kN
(Grease) Lubrication Speed	610 r/min
(Oil) Lubrication Speed	810 r/min
Calculation factor (e)	0,25
Calculation factor (Y0)	2,68
Bearing No.	45252
r(min)	4
r1(min)	5

45252 Bearing 2D drawings and 3D CAD models



NSK bearing Trading Co., Ltd

Cr	1320
C0r	2120
Cu	113
Grease lub.	610
Oil lub.	810
da(max)	302
Da(max)	382
Da(min)	360
Sa(min)	6
ra(max)	3
rb(max)	4
e	0.25
Y2	2.74
Y3	4.08
Y0	2.68
(Refer.) Mass(kg)	48.1