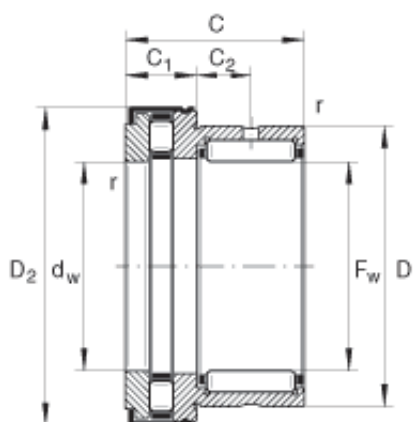




NSK bearing Trading Co., Ltd



NKXR20-Z Bearing 2D drawings and 3D CAD models

INA NKXR20-Z complex bearings

Bearing No. NKXR20-Z

Size	20x30x30 mm
Bore Diameter	20 mm
Outer Diameter	30 mm
Width	30 mm
F_w	20 mm
D	30 mm
C - 30 mm / Tolerance: -0,25	30 mm / Tolerance: 0,25
C_1 - 10 mm / Tolerance: -0,2	10 mm / Tolerance: 0,2
C_2	10,5 mm
$D_{2\max}$	36,2 mm
d_a	30,7 mm
d_w	20 mm / Tolerance: E8
$r_{a\max}$	0,3 mm
r_{\min}	0,3 mm
	NAXR20Z / Designation to DIN 5429
m	84 g / Weight
C_r	18600 N / Dynamic load rating (radial)
C_{0r}	23800 N / Static load rating (radial)
C_a	25000 N / Dynamic load rating (axial)
C_{0a}	53000 N / Static load rating (axial)



NSK bearing Trading Co., Ltd

C_{ur}	4150 N / Fatigue limit load, radial
C_{ua}	7300 N / Fatigue limit load, axial
n_G	10000 1/min / Limiting speed
n_B	4200 1/min / Reference speed
	IR17X20X20 / Suitable inner ring
Category	Thrust Roller Bearing
Inventory	0.0
Manufacturer Name	SCHAEFFLER GROUP
Minimum Buy Quantity	N/A
Weight / Kilogram	0.084
Product Group	B00234
Rolling Element	Combination - Needle Roller and Thrust Roller Bearing
Self Aligning	No
Component Description	Roller Assembly plus Raceways
Thrust Bearing	Yes
Single or Double Direction	Single Direction
Banded	No
Cage Material	Steel
Precision Class	ABEC 1 ISO P0
Other Features	With Grease Retaining Cap
Long Description	20MM Bore 1; 20MM Bore 2; 30MM Outside Diameter; 30MM Height; Combination - Needle Roller and Thrust Roller Bearing; Single Direction; Not Self Aligning; Not Banded; Steel Cage; ABEC 1 ISO P0; Rolle



NSK bearing Trading Co., Ltd

Inch - Metric	Metric
Category	Thrust Roller Bearings
UNSPSC	31171537
Harmonized Tariff Code	8482.80.00.80
Noun	Bearing
Keyword String	Combination
Manufacturer URL	http://www.ina.com
Manufacturer Item Number	NKXR20Z
Weight / LBS	0.176
Bore 1	0.787 Inch 20 Millimeter
Bore 2	0.787 Inch 20 Millimeter
Overall Height with Aligning Washer	0 Inch 0 Millimeter
Height	1.181 Inch 30 Millimeter
Outside Diameter	1.181 Inch 30 Millimeter