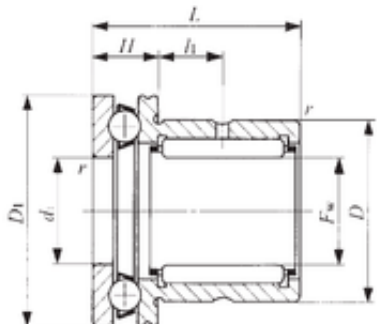




IKO NAX 1223 complex bearings



Bearing No. NAX 1223

Bore Diameter	12 mm
Outer Diameter	21 mm
Fw	12 mm
D	21 mm
D1	26 mm
d1	12 mm
r min.	0,3 mm
H	9 mm
L	23 mm
L1	6,5 mm
da min.	20 mm
Weight	0,0435 Kg
Dynamic load rating radial (C)	9,25 kN
Dynamic load rating axial (C)	9,67 kN
Static load rating radial (C0)	11,2 kN
Static load rating axial (C0)	11,1 kN

NAX 1223 Bearing 2D drawings and 3D CAD models