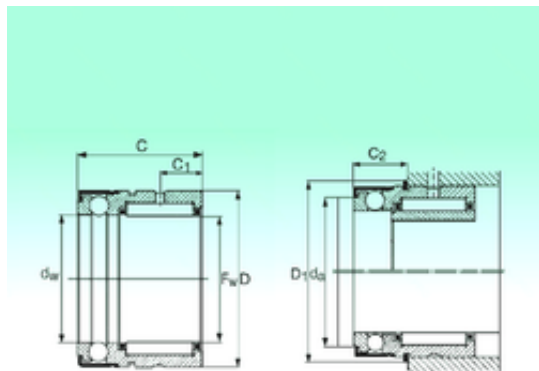




NSK bearing Trading Co., Ltd



NX 12 Z Bearing 2D drawings and 3D CAD models

NBS NX 12 Z complex bearings

Bearing No. NX 12 Z

Size	12x21x18 mm
Bore Diameter	12 mm
Outer Diameter	21 mm
Width	18 mm
d	12 mm
Fw	0,028 mm
D	21 mm
C	18 mm
C1	4,7 mm
D1	23,7 mm
C2	10 mm
da	16,6 mm
Dynamic load rating radial (C)	4,5 kN
Dynamic load rating axial (C)	5,1 kN
Static load rating radial (C0)	4,1 kN
Static load rating axial (C0)	8,45 kN