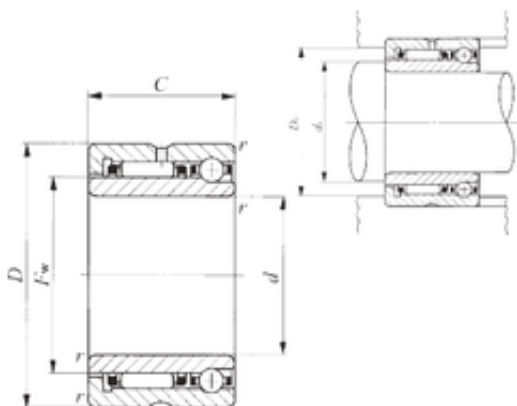




NSK bearing Trading Co., Ltd

15 mm x 28 mm x 18 mm 15 mm x 28 mm x 18 mm IKO NATA 5902 complex bearings



Bearing No. NATA 5902

Size	15x28x18 mm
Bore Diameter	15 mm
Outer Diameter	28 mm
Width	18 mm
d	15 mm
Fw	20 mm
D	28 mm
B	18 mm
C	18 mm
r min.	0,3 mm
da min.	17 mm
Da max.	26 mm
Weight	0,0505 Kg
Dynamic load rating radial (C)	7,71 kN
Dynamic load rating axial (C)	1,9 kN
Static load rating radial (C0)	10,2 kN
Static load rating axial (C0)	2,92 kN

NATA 5902 Bearing 2D drawings and 3D CAD models