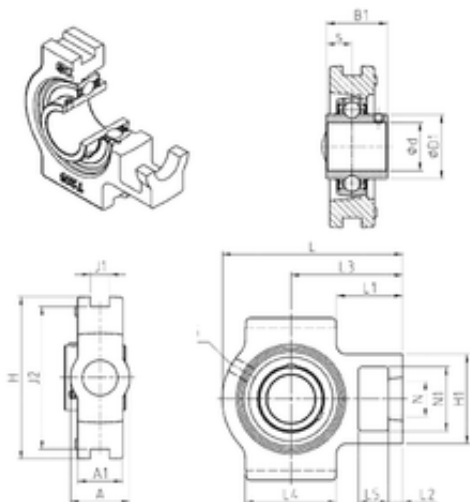




NSK bearing Trading Co., Ltd



SNR UCT203 bearing units

Bearing No. UCT203

| | |
|-------------------------------|---------|
| Bore Diameter | 17 mm |
| d | 17 mm |
| L4 | 51 mm |
| L5 | 16 mm |
| L2 | 10 mm |
| L3 | 61 mm |
| s | 12,7 mm |
| A | 32 mm |
| A1 | 21 mm |
| B1 | 31 mm |
| D1 | 29 mm |
| H | 89 mm |
| H1 | 51 mm |
| L | 94 mm |
| L1 | 35,5 mm |
| N | 19 mm |
| N1 | 32 mm |
| Thread (G) | M6x1 |
| J1 | 12 mm |
| J2 | 76 mm |
| Weight | 0,7 Kg |
| Basic dynamic load rating (C) | 12,8 kN |
| A2 | 21 mm |
| B | 31 mm |
| A5 | 18.3 mm |
| G | M6x1 |

UCT203 Bearing 2D drawings and 3D CAD models



NSK bearing Trading Co., Ltd

| | |
|---|---------|
| H2 | 51 mm |
| N2 | 32 mm |
| s1 | 15.5 mm |
| S | 12.7 mm |
| SW | 3 mm |
| C | 12.8 kN |
| C0 | 6.65 kN |
| T min. | -20 ° C |
| T max. | 100 ° C |
| Recommended tightening torque for set screw | 5.5 Nm |
| Designation of housing | T204- |
| Designation of bearing | UC203G2 |