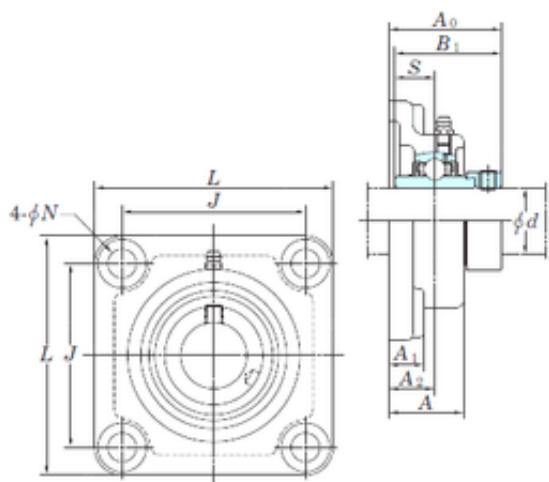




KOYO NANF204 bearing units

Bearing No. NANF204



NANF204 Bearing 2D drawings and 3D CAD models

Bore Diameter	20 mm
d	20 mm
A0	45,6 mm
A	29,5 mm
A1	15 mm
B1	43,7 mm
J	64 mm
L	86 mm
N	11 mm
S	17,1 mm
Bolt (G)	9,525
A2	19 mm
Weight	0,73 Kg
Basic dynamic load rating (C)	12,8 kN
Basic static load rating (C0)	6,65 kN