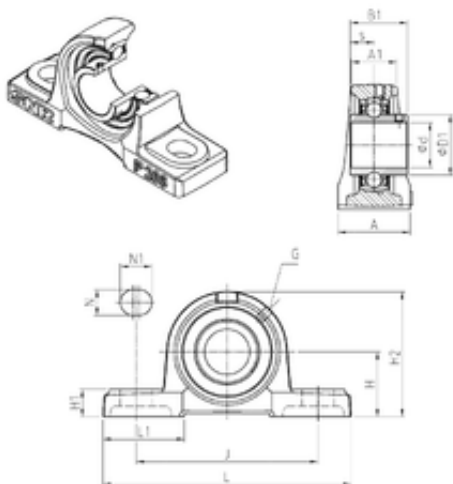




SNR UCP314 bearing units

Bearing No. UCP314



UCP314 Bearing 2D drawings and 3D CAD models

Bore Diameter	70 mm
d	70 mm
s	33 mm
A	90 mm
A1	60 mm
B1	78 mm
D1	94 mm
H	95 mm
H1	35 mm
H2	187 mm
J	280 mm
L	360 mm
L1	105 mm
N	27 mm
N1	40 mm
Thread (G)	M10x1
Weight	13,1 Kg
Basic dynamic load rating (C)	104,26 kN