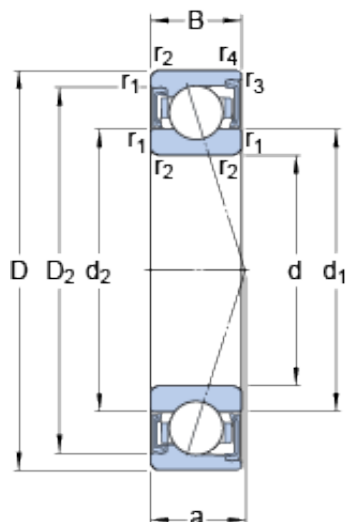




# NSK bearing Trading Co., Ltd

90 mm x 140 mm x 24 mm 90 mm x 140 mm x 24 mm SKF S7018 CD/P4A angular contact ball bearings

Bearing No. S7018 CD/P4A



S7018 CD/P4A Bearing 2D drawings and 3D CAD models

Size	140x90x24 mm
Bore Diameter	140 mm
Outer Diameter	90 mm
Width	24 mm
d	90 mm
D	140 mm
B	24 mm
d <sub>1</sub>	105.4 mm
d <sub>2</sub>	105.4 mm
D <sub>2</sub>	128.25 mm
r <sub>1,2</sub> - min.	1.5 mm
r <sub>3,4</sub> - min.	1 mm
a	27.5 mm
d <sub>a</sub> - min.	97 mm
d <sub>a</sub> - max.	104.8 mm
d <sub>b</sub> - min.	97 mm
d <sub>b</sub> - max.	104.8 mm
D <sub>a</sub> - max.	133 mm
D <sub>b</sub> - max.	136 mm
r <sub>a</sub> - max.	1.5 mm
r <sub>b</sub> - max.	1 mm
Basic dynamic load rating - C	79.3 kN
Basic static load rating - C <sub>0</sub>	76.5 kN



## NSK bearing Trading Co., Ltd

Fatigue load limit - $P_u$	3 kN
Limiting speed for grease lubrication	9000 r/min
Ball - $D_w$	15.875 mm
Ball - $z$	20
Calculation factor - $f_0$	15.6
Preload class A - $G_A$	300 N
Preload class B - $G_B$	600 N
Preload class C - $G_C$	1200 N
Preload class D - $G_D$	2400 N
Calculation factor - $f$	1.14
Calculation factor - $f$	1
Calculation factor - $f_{2A}$	1
Calculation factor - $f_{2B}$	1.02
Calculation factor - $f_{2C}$	1.05
Calculation factor - $f_{2D}$	1.09
Calculation factor - $f_{HC}$	1
Preload class A	103 N/micron
Preload class B	141 N/micron
Preload class C	198 N/micron
Preload class D	287 N/micron
$d_1$	105.4 mm
$d_2$	105.4 mm
$D_2$	128.25 mm
$r_{1,2}$ min.	1.5 mm
$r_{3,4}$ min.	1 mm
$d_a$ min.	97 mm
$d_a$ max.	104.8 mm
$d_b$ min.	97 mm
$d_b$ max.	104.8 mm



## NSK bearing Trading Co., Ltd

$D_a$ max.	133 mm
$D_b$ max.	136 mm
$r_a$ max.	1.5 mm
$r_b$ max.	1 mm
Basic dynamic load rating C	79.3 kN
Basic static load rating $C_0$	76.5 kN
Fatigue load limit $P_u$	3 kN
Attainable speed for grease lubrication	9000 r/min
Ball diameter $D_w$	15.875 mm
Number of balls z	20
Preload class A $G_A$	300 N
Static axial stiffness, preload class A	103 N/ $\mu$ m
Preload class B $G_B$	600 N
Static axial stiffness, preload class B	141 N/ $\mu$ m
Preload class C $G_C$	1200 N
Static axial stiffness, preload class C	198 N/ $\mu$ m
Preload class D $G_D$	2400 N
Static axial stiffness, preload class D	287 N/ $\mu$ m
Calculation factor f	1.14
Calculation factor $f_1$	1
Calculation factor $f_{2A}$	1
Calculation factor $f_{2B}$	1.02
Calculation factor $f_{2C}$	1.05
Calculation factor $f_{2D}$	1.09
Calculation factor $f_{HC}$	1
Calculation factor $f_0$	15.6
Mass bearing	1.17 kg