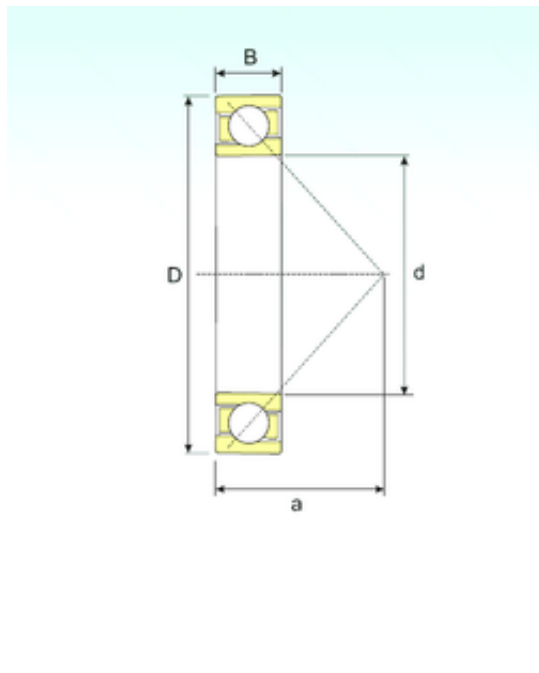




NSK bearing Trading Co., Ltd



670 mm x 980 mm x 136 mm 670 mm x 980 mm x 136 mm ISB 70/670 A angular contact ball bearings

Bearing No. 70/670 A

Size	670x980x136 mm
Bore Diameter	670 mm
Outer Diameter	980 mm
Width	136 mm
d	670 mm
D	980 mm
B	136 mm
C	136 mm
a	340 mm
Weight	308 Kg
Basic dynamic load rating (C)	1210 kN
Basic static load rating (C0)	2400 kN
(Grease) Lubrication Speed	470 r/min

70/670 A Bearing 2D drawings and 3D CAD models