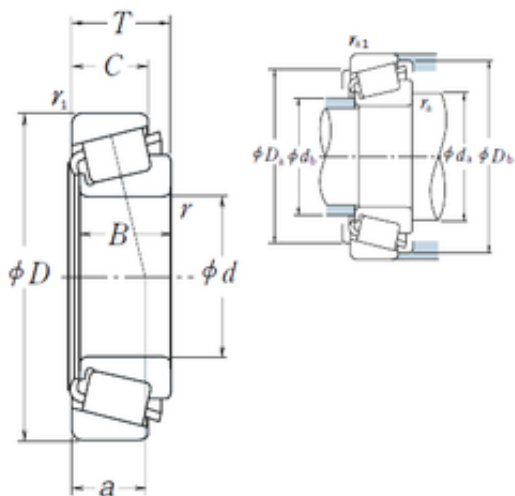




# NSK bearing Trading Co., Ltd



797/792 Bearing 2D drawings and 3D CAD models

## 797/792 NSK Tapered Roller bearings double-row

Bearing No. 797/792

Size	130x206.375x47.625 mm
Bore Diameter	130 mm
Outer Diameter	206,375 mm
Width	47,625 mm
d	130 mm
D	206,375 mm
T	47,625 mm
B	47,625 mm
C	34,925 mm
ra1 max.	3,3 mm
a	45,7 mm
r min.	3,5 mm
r1 min.	3,3 mm
Da	186 mm
db	141 mm
ra max.	3,5 mm
da	148 mm
Db	198 mm
Weight	5,66 Kg
Basic dynamic load rating (C)	320 kN
Basic static load rating (C0)	530 kN
(Grease) Lubrication Speed	1600 r/min
(Oil) Lubrication Speed	2200 r/min
Calculation factor (e)	0,46
Calculation factor (Y0)	0,72



## NSK bearing Trading Co., Ltd

LangID	1
ALP23	0
outer r	3.3
ALP22	0
D_	206.375
ALP21	34
SHOG_yobi	797R/792R
RAr	330.864
inner r	3.5
GRS rpm	1600
D_b	198
D_a	186
DE_	183.384
SLR	34
Prod_Type3	TRBSR_ID_A
BETA_	1
ALPHA_	17
SDM_	166.873
DA1	18.283
DA2	16.411
hidYobi	797/792
Y1	1.3
B_	47.625
Oil rpm	2200
hidTable	ecat_NSTPRI
Y0	0.72
inner ra	3.5
outer rb	3.3
C0	530
CUP	1.9
e	0.46
DA_	17.351



## NSK bearing Trading Co., Ltd

BET21	3
BET22	10
BET23	0
Z_	25
C_	34.925
yobi	797/792
KBRG	3161
CONE	3.76
DI_	149.958