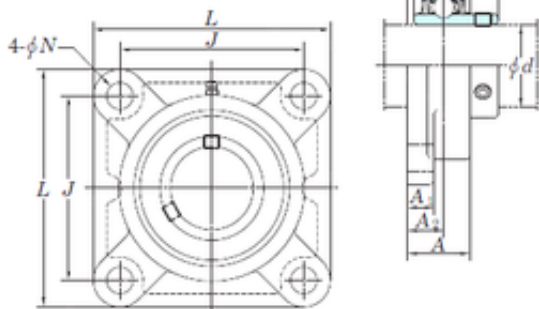




SKF Snr NTN NSK Koyo Timken Pillow Block
 Bearing Ucf201 Ucf202 Ucf203 Ucf204 Ucf205
 Ucf206 Ucf207 Ucf208 Ucf209 Ucf210



Bearing No. Ucf201

Bore Diameter	12 mm
d	12 mm
A0	33,3 mm
A	25,5 mm
A1	11 mm
B	31 mm
J	64 mm
L	86 mm
N	12 mm
S	12,7 mm
Bolt (G)	M10
A2	15 mm
Weight	0,64 Kg
Basic dynamic load rating (C)	12,8 kN
Basic static load rating (C0)	6,65 kN
Bearing No.	UCF201
Bolt size	M10
Cr	12.8
C0r	6.65
f0	13.2
(Refer.)Unit mass(kg)	0.64
Nipple size	1/4-28UNF

Ucf201 Bearing 2D drawings and 3D CAD models